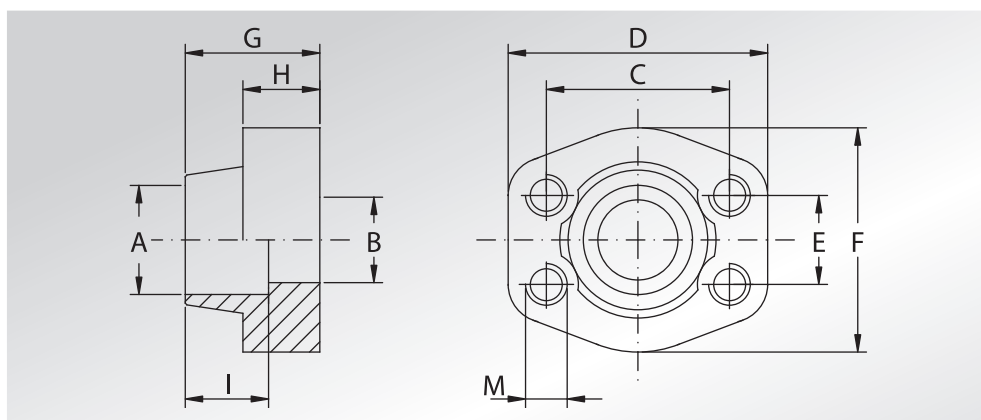




CONTROFLANGE A SALDARE DI TASCA TUBO METRICO

METRIC PIPE WELD IN COUNTER-FLANGES



Pressione max di esercizio raccomandata Kg/cm ²	Grandezza	Tipo	Dimensioni										Peso Kg		
Maximum recommended working pressure Kg/cm ²	Size	Type	Dimensions										Weight Kg		
			A	B	C	D	E	F	G	H	I	M			
													Metric	Unc	
SERIE 3000															
345	1/2"	GFS080SA20	20,3	13	38,10	57	17,48	46	36	16	19	M8	5/16	0,26	
345	3/4"	GFS100SA25	25,3	19	47,63	65	22,23	50	36	18	19	M10	3/8	0,43	
345	1"	GFS102SA30	30,3	25	52,37	70	26,19	55	38	18	19	M10	3/8	0,50	
276	1"1/4	GFS104SA38	38,3	32	58,72	79	30,18	68	41	21	22	M10	7/16	0,71	
207	1"1/2	GFS106SA50	50,5	38	69,85	93	35,71	78	45	25	24	M12	1/2	1,12	
SERIE 6000															
414	1/2"	GFS401SA20	20,3	13	40,49	57	18,24	46	36	16	19	M8	5/16	0,26	
414	3/4"	GFS402SA25	25,3	19	50,80	71	23,80	55	35	21	22	M10	3/8	0,54	
414	1"	GFS403SA30	30,3	25	57,15	81	27,76	65	42	25	22	M12	7/16	0,82	
414	1"1/4	GFS404SA38	38,3	32	66,68	95	31,75	78	45	27	25	M14	1/2	1,28	
414	1"1/4	GFS404SA38B26	38	26	66,68	95	31,75	78	45	27	25	M14	1/2	1,32	
414	1"1/4	GFS404SA38B28	38	28	66,68	95	31,75	78	45	27	25	M14	1/2	1,32	
414	1"1/2	GFS405SA50	50,5	38	79,38	112	36,50	94	50	30	28	M16	5/8	1,94	

DESIGNAZIONE PER ORDINE DESIGNATION FOR ORDER	Materiale / Material	
	ST52.3	AISI 316L
Controflangia con fori di fissaggio filettati metrici Counter-flange with metric threaded fixing holes	GFS...SA	GFX...SA
Controflangia con fori di fissaggio filettati unc Counter-flange with unc threaded fixing holes	GFS...SAU	GFX...SAU

NOTE / NOTES